

# HSM 405H2 6WD



### Engine:

- IVECO
- NEF 6 Zyl. Common Rail Turbo/ EuroMot TIER3
- Power: 175 kW / 238 HP
- max. revolution: 2200 rpm
- max. torque: 1020 Nm at 1500 rpm
- Displacement: 6,7 Liter

### Power Train:

- Hydrostatic-mechanically
- Elektronisch control CMC
- NAF 2-speed transfer case
- Traction force 175 kN

### Axles:

- Front: NAF balanced Portal-Bogie-Axle  
Switchable differential lock 100%
- Rear: NAF Planetary-Axle  
Switchable differential lock 100%

### Brake:

- Brake with 2-circles, oil-cooled multiple-disc powerbrake
- Spring-loaded power parking-brake

### Steering:

- Articulated frame steering
- 2 steering cylinders
- Steering angle 52°

### Tires:

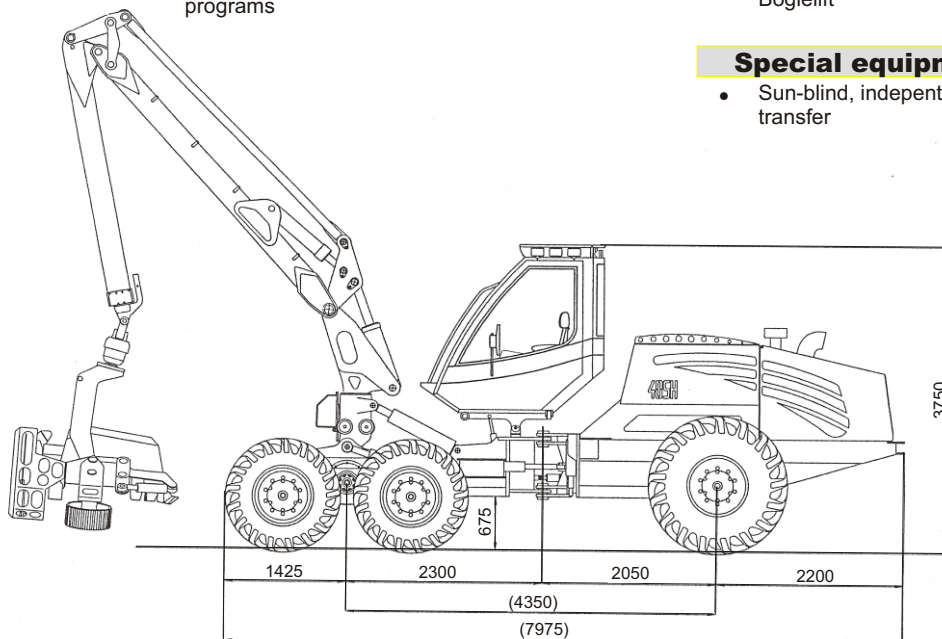
	Size:	Overall width
• Serial: rear	28L-26	ab 2700 mm
• Optional:	23,1-26	ab 2500 mm
• Serial: front	710/45-26,5	ab 2960 mm
• Option	600/55-26,5	ab 2560 mm

### Fuel-Tank:

- Capacity: 460 Liter

### Hydraulic system:

- Load Sensing
- Variable pump: 1 x 145 ccm / 1 x 190 ccm  
Pump flow: 469 l/min at 1400 rpm  
Pressure: up to max. 380 bar
- Gear pump:  
Pump flow: 15,4 l/min at 1400 rpm  
Pressure: 120 bar
- Tank: 240 Liter
- Hydraulikoil: unsaturated, synthetic ester  
Panolin HLP SYNTH mit Kleenoil  
Microfiltration WGK 1
- Valve-block: Danfoss PVG 32
- Crane-control: Digital electronics CMC with individual  
adjustable speed and ramp times, 5 driver  
programs



### Elektrical system:

- Generator 24V, 2 x 90A
- 2 service-free dry batteries each with 75Ah

### Cabin:

- Tilttable cabin forward / reverse
- Curved windscreen Lexan
- Protection tested conforming with ROPS ISO 8082
- Wiper in front and on the side
- Comfortable, air cushioned seat
- Warm water heater
- Air-conditioning

### Gauges:

- Fuel-Tank gauges, cooling water temperature, alphanumeric display for rpm, speed, hydraulic oil-temperature, as well as all process data for driving and working hydraulics, warning overhead engine

### Weight:

- 18000 kg (serial)

### Central oscillation lock:

- 2 Hydraulic cylinders

### Crane:

- Loglift L220 V100  
Reach 10 m  
Lifting moment gross 188 kNm  
Slewing torque 43,6 kNm

### Harvester Head:

- Serial:  
Waratah H480  
Felling diameter 710 mm  
Delimiting diameter 480 mm  
Feed force with 630/400 ccm motor 23,7 kN  
Feed force with 800/500 ccm motor 30,2 kN  
Feed speed 5,0 m/s  
Operating pressure 280 bar  
Weight 1250 kg

Alternate harvester heads on request.

### Control system:

- Serial Motomit IT
- Optional Motomit PC  
DASA 4

### Standard equipment:

- 19 x spotlamps Twin Power each 2x70W mounted on cabin, 4 spotlamps in front of crane, potential transformer, radio, fire extinguisher, first-aid box, warning triangle, tool kit, bypass-filter, refueling pumps for fuel and hydraulic oil, vacuum pump, Bogielift

### Special equipment:

- Sun-blind, independent vehicle heater, GPS-system, data transfer

Technical subject to change  
April 2008  
P-Nr: 405H2-6WD-engl-TB003