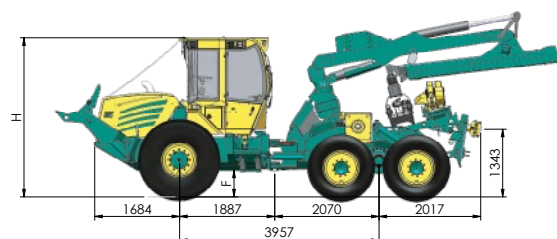


805HD 6WD



Winches:

- Standard: Adler HY 20 (2 x 100 kN) double-drum winch
Max. cable take-up of 14 mm, 100 m
- Optional: Adler HY 24-O (2 x 120 kN) double-drum winch
Max. cable take-up of 14 mm, 130 m
Adler HY 32-O (2 x 160 kN) double-drum winch
Max. cable take-up of 16 mm, 100 m

Weight:

- 15300 kg (standard)

Forwarder:

- Standard: Tilttable Epsilon X150 R80
(Max. range 8 m, 170 kNm gross lifting moment)
- Optional: Tilttable Epsilon X150 R104
(Max. range 10.4 m, 170 kNm gross lifting moment)

Tyres:

- Series: Size: Minimum width: H: F:
- At the front: 23,1 x 26 2550 mm 3595 530
- At the rear: 710/45x26.5

The minimum width changes when using belts (+100). Other tyres on request.

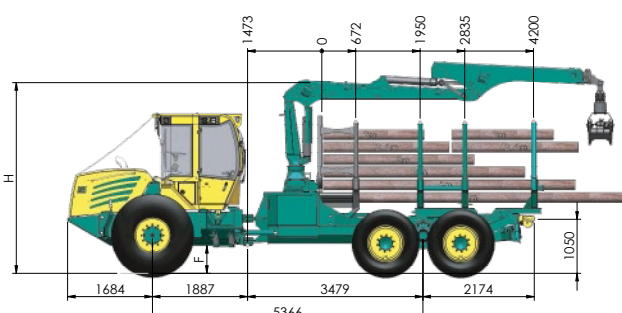
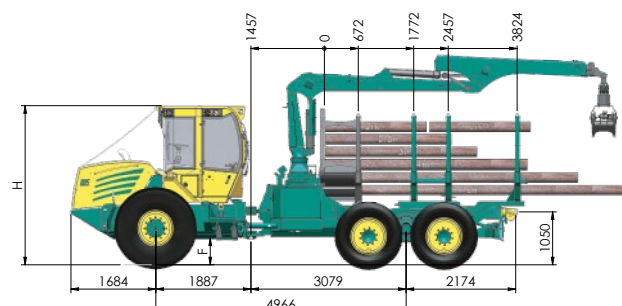
Standard equipment:

- Fixed front polder shield, 2000 mm wide
- Straight shield as sprag brake
- Torsion lock with 2 hydraulic cylinders

Special equipment:

- Hydraulically height-adjustable roller block
- Clamping workbench on height-adjustable roller block
- "Skidder France" version pulley
- Engine bonnet protection and brush guard made from tubing
- Additional accessories on request

805HD Kombi short/long



Winches:

- Standard: Adler HY 20 (2 x 100 kN) double-drum winch
Max. cable take-up of 14 mm, 100 m
- Optional: Adler HY 24-SG (2 x 120 kN) double-drum winch
Max. cable take-up of 14 mm, 130 m
Adler HY 32-SG (2 x 160 kN) double-drum winch
Max. cable take-up of 16 mm, 100 m

Weight:

- 14500 kg / 14700 kg (standard)

Payload:

- 11 t

Forwarder:

- Epsilon crane M70 F80 (Series)
- Additional cranes on request

Tyres:

- Series: Size: Minimum width: H: F:
- At the front: 23,1 x 26 2550 mm 3670 530
- At the rear: 710/45x26.5
- Optional: 28L-26 2600 mm 3164 631
- 620/75-26 2400 mm 3137 604
- 600/65-34 2360 mm 3190 657
- 710/55-34 2620 mm 3191 658
- 67x34-25 3000 mm 3150 620

The minimum width changes when using belts (+100). Other tyres on request.

Standard equipment:

- Headboard grid and first stanchion removable
- Last stanchion can be removed and adjusted to 2.4 m, 3.2 m and 3.8 m
- Height-adjustable roller block
- Torsion lock with hydraulic cylinder
- reversing camera with color monitor
- rear headlights

Special equipment:

- Front polder shield
- Straight shield
- Clamping workbench with quick-change plate
- Twin stanchions as 2nd and 3rd stanchion on quick-change plate
- Rotating stanchion
- Bogie lift at the rear
- Additional accessories on request

The variable rear



Last stanchion variable in "short" position



Last stanchion variable in "centre" position



Last stanchion variable in "long" position



Quick-change twin stanchion for 2 x 2 or 2 x 2.5 m wood (not for 805F short version)



Height-adjustable pulleys Up to 2 m



Rope forwarding possible Without reconfiguring the stanchion



Log forwarding with quick-change clamping workbench



Rope forwarding possible without reconfiguring the clamping workbench

HSM Crane-list

X = available with surcharge O = standard equipment # = not available

Crane type	Lifting moment	Range	Gripper type	805F	
				Kombi	
M70 F80	102/68 kNm	8,0 m	FG43S	O	
M70 F86	102/68 kNm	8,6 m	FG43S	X	
M70 F101	102/65 kNm	10,1 m	FG43S	X	
M80 F80	114/79 kNm	8,0 m	FG43S	X	
M80 F86	114/79 kNm	8,6 m	FG43S	X	
M80 F101	114/75 kNm	10,1 m	FG43S	X	
S100 F80	128/91 kNm	8,0 m	FG43S	X	
S100 F86	128/90 kNm	8,6 m	FG43S	X	
S100 F101	128/86 kNm	10,1 m	FG43S	#	
S110 F80	143/104 kNm	8,0 m	FG43S	#	
S110 F86	143/104 kNm	8,6 m	FG43S	#	
S110 F101	143/100 kNm	10,1 m	FG43S	#	
X120 F80	159/111 kNm	8,0 m	FG43S	#	
X120 F86	159/110 kNm	8,6 m	FG43S	#	
X120 F102	159/107 kNm	10,2 m	FG43S	#	
X140 F80	173/123 kNm	8,0 m	FG43S	#	
X140 F86	173/122 kNm	8,6 m	FG43S	#	
X140 F102	173/119 kNm	10,2 m	FG43S	#	
niedrige Kransäule (Höhe 1730 mm)					
F71 F72	99/75 kNm	7,2 m	FG43S	X	
F71 FT85	99/70 kNm	8,5 m	FG43S	X	
F71 FT100	99/66 kNm	10,0 m	FG43S	X	
F71 FT100i	99/66 kNm	10,0 m	FG43S	X	
F83 F72	106/82 kNm	7,2 m	FG43S	X	
F83 FT85	106/76 kNm	8,5 m	FG43S	X	
F83 FT100i	106/73 kNm	10,0 m	FG43S	X	
M 92 F80i	130/84 kNm	8,0 m	FG43S	X	
M 92 FT86i	130/84 kNm	8,6 m	FG43S	#	
M 92 FT100i	130/84 kNm	10,0 m	FG43S	#	
F111 F72	151/111 kNm	7,2 m	FG43S	#	
F111 F85	151/100 kNm	8,5 m	FG43S	#	
F111 FT85	151/100 kNm	8,5 m	FG43S	#	
F111 FT91	151/98 kNm	9,1 m	FG43S	#	
F111 FT100	151/101 kNm	10,0 m	FG43S	#	
M122 F85i	155/110 kNm	8,5 m	FG43S	#	
M122 F96i	155/ - kNm	9,6 m	FG43S	#	
M122 FT100i	155/ - kNm	10,0 m	FG43S	#	
M142 F85i	178/132 kNm	8,5 m	FG43S	#	
M142 F96i	178/124 kNm	9,6 m	FG43S	#	
M142 FT100i	178/ - kNm	10,0 m	FG43S	#	

Technical subject to change. May 2016 HSM805_en_photon-sh-0516



HSM 805

model series



HSM Hohenloher Spezial-Maschinenbau GmbH & Co. KG

Technik die Freude macht.

D-74635 Neu-Kupfer

Im Greut 10

Phone + 49 7944 / 9191-0

Fax + 49 7944 / 9191-77

E-mail: info@hsm-forest.com

www.hsm-forest.com

Technik die Freude macht.

Technical data

Engine:

- IVECO
- NEF 4 cyl. Common Rail Turbo / EuroMot TIER 3B
- Engine output: 125 kW (170 DIN horsepower)
- Max. rpm: 2200 rpm
- Max. torque: 700 Nm at 1500 rpm
- Engine capacity: 4.5 litres

Transmission:

- HSM High Speed Drive (71 series)
- 2-step NAF transfer gearbox

Axles:

- Planetary axles
- 100% separately selectable differential locks, front and rear

Brake:

- 2-circuit brake, disk brake running in an oil bath
- Spring-loaded parking brake

Steering:

- Articulated steering with 2 cylinders
- 45° steering angle

Diesel tank:

- 175 litres

Hydraulics:

- Load sensing
- Pump output:

Flow rate:	232 litres/min at 1600 rpm
Pressure:	up to 350 bar
Option:	Flow rate: 232 litres/min at 1600 rpm
	Pressure: up to 350 bar (for HD model series)
- Tank: 90 litres
- Hydraulic fluid: Saturated, synthetic ester Panolin HLP SYNTH with Kleenoil Microfiltration water hazard class 1

Cabin:

- HSM Panorama comfort cab
- ROPS, FOPS, OPS tested safety cab
- Swivel seat device, air-suspended comfort seat
- heating/air-conditioning

Electrical system / Instruments:

- HSM Ecommand colour-display
- 5 operator programs + factory setting
- diagnosis-tool and error-indication, graphic support at parameter editing, generator 24 V, 90 A; 2 service-free dry batteries á 56 Ah
- Option: Remote service

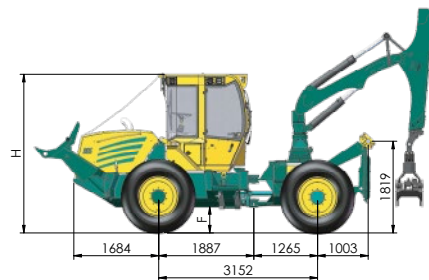
Standard equipment:

- 12 LED work lamps, 24 V - 12 V voltage transformer, Radio with CD player, fire extinguisher, first-aid kit, warning, triangle, tool set and much more

Special accessories:

- Tiltable front polder shield, front loader (Hauer), trailer hitch, outer hydraulic connection, remote control for cable winch, wire-less driving, auxiliary heating, Xenon work lamp, sun blinds, seat damping pad
- Additional accessories on request

805H



Winches:

- Series: Adler HY 16 (2 x 80 kN) double-drum winch Max. cable take-up of 14 mm, 100 m
- Optional: Adler HY 20 (2 x 100 kN) double-drum winch Max. cable take-up of 14 mm, 100 m

Weight:

- 10900 kg (standard)

Forwarder:

- Epsilon M80 R59 - R80 (max. range 8 m, lifting moment 95 kNm gross)
- Epsilon M90 R59 - R72 (max. range 7.2 m, lifting moment 104 kNm gross)
- Mesera F81 R51 - RT65 (max. range 6.5 m, lifting moment 93 kNm gross)
- Additional cranes on request

Tyres:

- | | | | | |
|-------------|-------------|--------------|------|-----|
| | Size: | Total width: | H: | F: |
| • Series: | 600/60-30,5 | 2360 mm | 3190 | 560 |
| • Optional: | 650/60-26,5 | 2460 mm | 3160 | 530 |
| | 750/55-26,5 | 2700 mm | 3160 | 530 |
| | 18.4-26 | 2220 mm | 3143 | 513 |
| | 600/60-R28 | 2360 mm | 3136 | 506 |

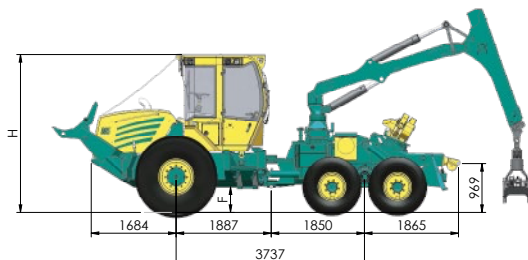
Standard equipment:

- Fixed front polder shield, 2000 mm wide
- Lowerable straight shield
- Epsilon crane M80 R59

Special equipment:

- Hydraulically height-adjustable roller block
- Clamping workbench on height-adjustable roller block
- Straight shield with sprag brake
- "Skidder France" version pulley
- Engine bonnet protection and brush guard made from tubing
- Additional accessories on request

805 6WD



Winches:

- Series: Adler HY 20 (2 x 100 kN) double-drum winch Max. cable take-up of 14 mm, 100 m
- Optional: Adler HY 24-SG (2 x 120 kN) double-drum winch Max. cable take-up of 14 mm, 130 m

Weight:

- 13900 kg (standard)

Forwarder:

- Epsilon S120 - R80 (max. range 8 m, lifting moment 139 kNm gross)
- Epsilon S120 - R96 (max. range 9.6 m, lifting moment 139 kNm gross)

Tyres:

- | | | | | | |
|-----------|---------------|----------------|---------|------|-----|
| • Series: | Size: | Minimum width: | H: | F: | |
| | At the front: | 23.1 x 26 | 2550 mm | 3170 | 530 |
| | At the rear: | 710/40x22.5 | | | |

The minimum width changes when using belts (+100). Other tyres on request.

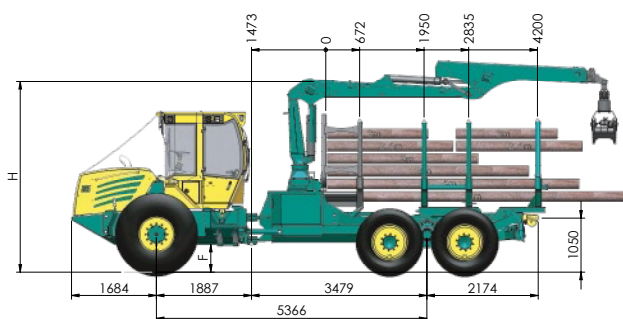
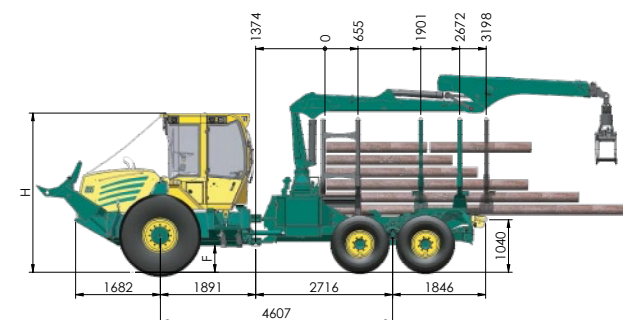
Standard equipment:

- Fixed front polder shield, 2000 mm wide
- Lowerable straight shield
- Torsion lock with 2 hydraulic cylinders
- Epsilon crane S120 R80

Special equipment:

- Clamping workbench on roll supports
- Engine bonnet protection and brush guard made from tubing
- Bogie lift at the rear
- Additional accessories on request

805 Kombi short/long



Winches:

- Series: Adler HY 16 (2 x 80 kN) double-drum winch Max. cable take-up of 14 mm, 100 m
- Optional: Adler HY 20 (2 x 100 kN) double-drum winch Max. cable take-up of 14 mm, 100 m

Weight:

- 13900 kg (series)

Payload:

- 9 t

Forwarder:

- Epsilon crane M70 F80 (Series)
- Additional cranes on request

Tyres:

- | | | | | | |
|-------------|---------------|----------------|---------|------|-----|
| • Series: | Size: | Minimum width: | H: | F: | |
| | At the front: | 23.1 x 26 | 2550 mm | 3540 | 530 |
| | At the rear: | 710/40x22.5 | | | |
| • Optional: | 28L-26 | 2600 mm | | | |
| | 620/75-26 | 2400 mm | | | |
| | 600/65-34 | 2360 mm | | | |
| | 710/55-34 | 2620 mm | | | |
| | 67x34-25 | 3000 mm | | | |

The minimum width changes when using belts (+100). Other tyres on request.

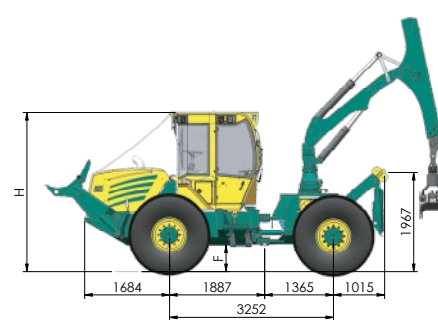
Standard equipment:

- Headboard grid and first stanchion removable
- Last stanchion can be removed and adjusted to Kombi short: 1.85 m, 2.65 m and 3.2 m Kombi long: 2.35 m, 3.15 m and 3.7 m
- Height-adjustable roller block
- Torsion lock with 2 hydraulic cylinders
- reversing camera with color monitor
- rear headlights

Special equipment:

- Front polder shield
- Straight shield
- Clamping workbench with quick-change plate
- Rotating stanchion
- Kombi long: Twin stanchions as 2nd and 3rd stanchion on quick-change plate
- Additional accessories on request

805HD



Winches:

- Series: Adler HY 20 (2 x 100 kN) double-drum winch Max. cable take-up of 14 mm, 100 m
- Optional: Adler HY 24-SG (2 x 120 kN) double-drum winch Max. cable take-up of 14 mm, 130 m Adler HY 32-SG (2 x 160 kN) double-drum winch Max. cable take-up of 16 mm, 100 m

Weight:

- 11500 kg (standard)

Forwarder:

- Epsilon M80 R59 - R80 (max. range 8 m, lifting moment 95 kNm gross)
- Epsilon M90 R59 - R80 (max. range 8 m, lifting moment 104 kNm gross)
- Epsilon S110 R59 - R72 (max. range 8 m, lifting moment 126 kNm gross)
- Mesera M102 R67 - R73 (max. range 7.3 m, lifting moment 130 kNm gross)
- Additional cranes on request

Tyres:

- | | | | | |
|-------------|-----------|--------------|------|-----|
| • Series: | Size: | Total width: | H: | F: |
| • Optional: | 28L-26 | 2600 mm | 3176 | 536 |
| | 620/75-26 | 2400 mm | 3149 | 509 |
| | 600/65-34 | 2360 mm | 3202 | 562 |
| | 710/55-34 | 2620 mm | 3203 | 563 |
| | 67x34-25 | 3000 mm | 3162 | 525 |

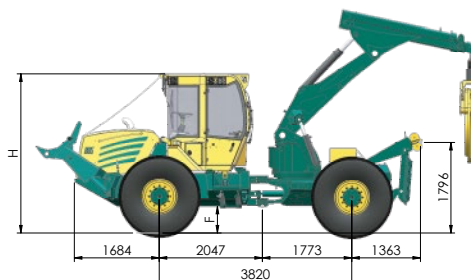
Standard equipment:

- Fixed front polder shield, 2000 mm wide
- Lowerable straight shield
- Epsilon crane M80 R59

Special equipment:

- Hydraulically height-adjustable roller block
- Clamping workbench on height-adjustable roller block
- Straight shield with sprag brake
- "Skidder France" version pulley
- Straight shield, rounded version
- Engine bonnet protection and brush guard made from tubing
- Additional accessories on request

805HD ZL



Winches:

- Standard: Adler EHY 10 (1 x 100 kN) single-drum winch Max. cable take-up of 14 mm, 80 m
- Optional: Adler HY 20 (2 x 100 kN) double-drum winch Max. cable take-up of 14 mm, 100 m Adler HY 24-O (2 x 120 kN) double-drum winch Max. cable take-up of 14 mm, 130 m Adler HY 32-O (2 x 160 kN) double-drum winch Max. cable take-up of 16 mm, 100 m Adler HY 32-LO double-drum winch

Weight:

- 13000 kg (standard)

Forwarder:

- Standard: Articulated arm with simple telescope: 5.6 m range Gross lifting moment: 270 kNm Swivel range: 210° Pivoting moment: 80 kNm Gripper cross-section: 1.2 m² (opt. 0.9 m²)
- Optional: Articulated arm with double telescope: 7.3 m range

Tyres:

- | | | | | |
|-------------|-----------|--------------|------|-----|
| • Series: | Size: | Total width: | H: | F: |
| • Optional: | 23.1 x 26 | 2360 mm | 3170 | 530 |
| | 28L-26 | 2600 mm | 3176 | 536 |
| | 620/75-26 | 2400 mm | 3149 | 509 |
| | 600/65-34 | 2360 mm | 3202 | 562 |
| | 710/55-34 | 2620 mm | 3203 | 563 |
| | 67x34-25 | 3000 mm | 3162 | 525 |

Standard equipment:

- Fixed front polder shield, 2000 mm wide
- Straight shield as sprag brake
- Torsion lock with 2 hydraulic cylinders

Special equipment:

- Hydraulically height-adjustable roller block
- "Skidder France" version pulley
- Straight shield „France"
- Engine bonnet protection and brush guard made from tubing
- Additional accessories on request