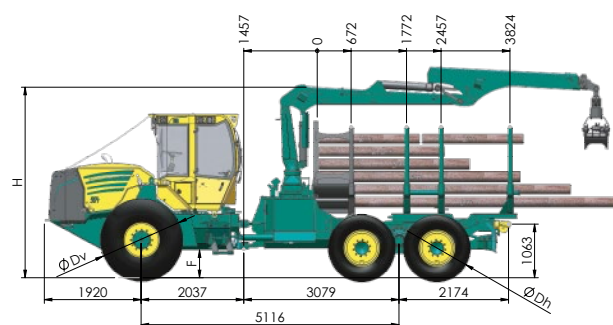


## 904F Kombi short



### Winches:

- Standard: Adler HY 20 (2 x 100 kN) double-drum winch  
Max. cable take-up of 14 mm, 100 m
- Optional: Adler HY 24-SG (2 x 120 kN) double-drum winch  
Max. cable take-up of 14 mm, 130 m  
Adler HY 32-SG (2 x 160 kN) double-drum winch  
Max. cable take-up of 16 mm, 100 m

### Weight:

- 16600 kg (standard)

### Payload:

- 11 t

### Forwarder:

- Epsilon crane M70 F80 (Series)
- Additional cranes on request

### Tyres:

	Serie 23, 1x26 710/45-26,5	28L-26 800/40-26,5	600/65-34 600/55-26,5	710/55-34 710/45-26,5	24,5-32 750/50-26,5	30,5-32 750/55-26,5	67x34,00-25 800/40-26,5
<b>904H</b>							
Dv	1632	1644	1644	1634	1831	1857	1680
Dh	1340	1340	1340	1340	1465	1485	1340
B*	2360	2610	2360	2600	2430	2730	2920
H	3670	3683	3684	3679	3769	3776	3688
F	573	586	587	582	672	679	591
<b>904ZF</b>							
H	3670	3683	3684	3679	3769	3776	3688
F	446	459	460	455	545	552	464

\* B: minimum machine width (dimensions in mm)

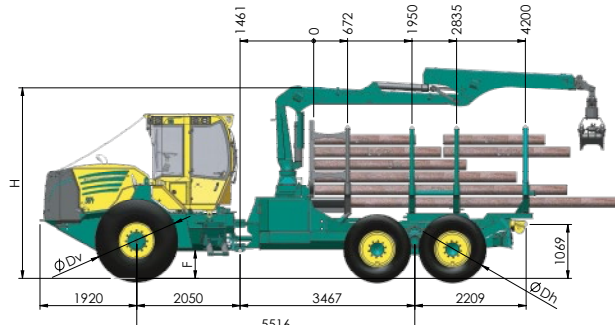
### Standard equipment:

- Headboard grid and first stanchion removable
- Last stanchion can be removed and adjusted to 2.4 m, 3.2 m and 3.8 m
- Height-adjustable roller block
- Torsion lock with hydraulic cylinder
- reversing camera with color monitor
- rear headlights

### Special equipment:

- Front polder shield
- Straight shield
- Clamping workbench with quick-change plate
- Twin stanchions as 2nd and 3rd stanchion on quick-change plate
- Rotating stanchion
- Bogie lift at the rear
- Additional accessories on request

## 904F Kombi long



### Winches:

- Standard: Adler HY 20 (2 x 100 kN) double-drum winch  
Max. cable take-up of 14 mm, 100 m
- Optional: Adler HY 24-SG (2 x 120 kN) double-drum winch  
Max. cable take-up of 14 mm, 130 m  
Adler HY 32-SG (2 x 160 kN) double-drum winch  
Max. cable take-up of 16 mm, 100 m

### Weight:

- 16800 kg (standard)

### Payload:

- 11 t

### Forwarder:

- Epsilon crane M70 F80 (Series)
- Additional cranes on request

### Tyres:

	Serie 23, 1x26 710/45-26,5	28L-26 800/40-26,5	600/65-34 600/55-26,5	710/55-34 710/45-26,5	24,5-32 750/50-26,5	30,5-32 750/55-26,5	67x34,00-25 800/40-26,5
<b>904H</b>							
Dv	1632	1644	1644	1634	1831	1857	1680
Dh	1340	1340	1340	1340	1465	1485	1340
B*	2360	2610	2360	2600	2430	2730	2920
H	3670	3683	3684	3679	3769	3776	3688
F	573	586	587	582	672	679	591
<b>904ZF</b>							
H	3670	3683	3684	3679	3769	3776	3688
F	446	459	460	455	545	552	464

\* B: minimum machine width (dimensions in mm)

### Standard equipment:

- Headboard grid and first stanchion removable
- Last stanchion can be removed and adjusted to 2.8 m, 3.6 m and 4.2 m
- Height-adjustable roller block
- Torsion lock with hydraulic cylinder
- reversing camera with color monitor
- rear headlights

### Special equipment:

- Front polder shield
- Straight shield
- Clamping workbench with quick-change plate
- Twin stanchions as 2nd and 3rd stanchion on quick-change plate
- Rotating stanchion
- Bogie lift at the rear
- Additional accessories on request

## The variable rear



Last stanchion variable in "short" position



Last stanchion variable in "centre" position



Last stanchion variable in "long" position



Quick-change twin stanchion for 2 x 2 or 2 x 2.5 m wood (not for 805F short version)



Height-adjustable pulleys Up to 2 m



Rope forwarding possible Without reconfiguring the stanchion



Log forwarding with quick-change clamping workbench



Rope forwarding possible without reconfiguring the clamping workbench

HSM Hohenloher Spezial-Maschinenbau GmbH & Co. KG

Technik die Freude macht.

## HSM Crane-list

X = available with surcharge O = standard equipment # = not available

Crane type	Lifting moment	Range	Gripper type	904F	
				Kombi	
M70 F80	102/68 kNm	8,0 m	FG43S	O	
M70 F86	102/68 kNm	8,6 m	FG43S	X	
M70 F101	102/65 kNm	10,1 m	FG43S	X	
M80 F80	114/79 kNm	8,0 m	FG43S	X	
M80 F86	114/79 kNm	8,6 m	FG43S	X	
M80 F101	114/75 kNm	10,1 m	FG43S	X	
S100 F80	128/91 kNm	8,0 m	FG43S	X	
S100 F86	128/90 kNm	8,6 m	FG43S	X	
S100 F101	128/86 kNm	10,1 m	FG43S	X	
S110 F80	143/104 kNm	8,0 m	FG43S	X	
S110 F86	143/104 kNm	8,6 m	FG43S	X	
S110 F101	143/100 kNm	10,1 m	FG43S	X	
X120 F80	159/111 kNm	8,0 m	FG43S	X	
X120 F86	159/110 kNm	8,6 m	FG43S	X	
X120 F102	159/107 kNm	10,2 m	FG43S	X	
X140 F80	173/123 kNm	8,0 m	FG43S	X	
X140 F86	173/122 kNm	8,6 m	FG43S	X	
X140 F102	173/119 kNm	10,2 m	FG43S	X	
Low crane pillar (height: 1730 mm)					
F71 F72	99/75 kNm	7,2 m	FG43S	X	
F71 FT85	99/70 kNm	8,5 m	FG43S	X	
F71 FT100	99/66 kNm	10,0 m	FG43S	X	
F71 FT100i	99/66 kNm	10,0 m	FG43S	X	
F83 F72	106/82 kNm	7,2 m	FG43S	X	
F83 FT85	106/76 kNm	8,5 m	FG43S	X	
F83 FT100i	106/73 kNm	10,0 m	FG43S	X	
M 92 F80i	130/84 kNm	8,0 m	FG43S	X	
M 92 FT86i	130/84 kNm	8,6 m	FG43S	X	
M 92 FT100i	130/84 kNm	10,0 m	FG43S	X	
F111 F72	151/111 kNm	7,2 m	FG43S	X	
F111 F85	151/100 kNm	8,5 m	FG43S	X	
F111 FT85	151/100 kNm	8,5 m	FG43S	X	
F111 FT91	151/98 kNm	9,1 m	FG43S	X	
F111 FT100	151/101 kNm	10,0 m	FG43S	X	
M122 F85i	155/110 kNm	8,5 m	FG43S	X	
M122 F96i	155/ - kNm	9,6 m	FG43S	X	
M122 FT100i	155/ - kNm	10,0 m	FG43S	X	
M142 F85i	178/132 kNm	8,5 m	FG43S	X	
M142 F96i	178/124 kNm	9,6 m	FG43S	X	
M142 FT100i	178/ - kNm	10,0 m	FG43S	X	

Technical subject to change. May 2016 HSM904\_en\_photon-sh-0516



# HSM 904

model series



D-74635 Neu-Kupfer  
Im Greut 10

Phone + 49 7944 / 9191-0

Fax + 49 7944 / 9191-77

E-mail: info@hsm-forest.com

www.hsm-forest.com

Technik die Freude macht.



## Technical data

### Engine:

- IVECO
- NEF 6 cyl. Common Rail Turbo / EuroMot TIER 4f
- Engine output: 184 kW (250 DIN horsepower)
- max. rpm: 2200 rpm
- max. torque: 1300 Nm at 1300 rpm
- Engine capacity: 6.7 litres

### Transmission:

- 904H: HSM High Speed Drive (71 series) speed at 1st gear 0-14 km/h
- 904ZF: ZF 6WG-190 load switching converter transmission 6 forward gears, 3 reverse gears

### Axles:

- Planetary axles
- 100% separately selectable differential locks, front and rear

### Brake:

- 2-circuit brake, disk brake running in an oil bath
- Spring-loaded parking brake

### Steering:

- Articulated steering with 2 cylinders, 44° steering angle

### Diesel tank:

- 904H: 200 litres / 904ZF: 225 litres

### Hydraulics:

- Load sensing
- Pump output: 

Flow rate:	168 litres/min at 1600 rpm
Pressure:	up to 300 bar
- Tank: 

904H	904ZF:
120 litres	150 litres
- Hydraulic fluid: Saturated, synthetic ester Panolin HLP SYNTH with Kleenoil Microfiltration water hazard class 1

### Cabin:

- HSM Panorama comfort cab
- ROPS, FOPS, OPS tested safety cab
- Swivel seat device, air-suspended comfort seat
- heating/air-conditioning

### Electrical system / Instruments:

- HSM Ecommand colour-display
- 5 operator programs + factory setting
- diagnosis-tool and error-indication, graphic support at parameter editing, generator 24 V, 90 A; 2 service-free dry batteries á 56 Ah
- Option: Remote service

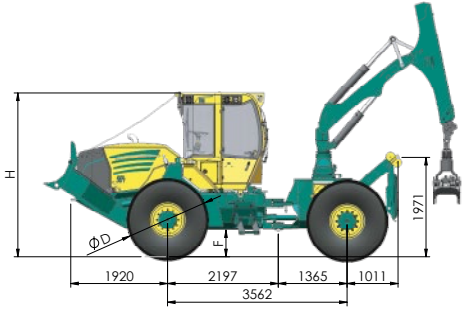
### Standard equipment:

- 12 LED work lamps
- 24 V - 12 V voltage transformer, radio with CD player, fire extinguisher, first-aid kit, warning triangle, tool set

### Special accessories:

- Tilttable front polder shield, front loader (Hauer), trailer hitch, outer hydraulic connection, remote control for cable winch, wire-less driving, auxiliary heating, sun blinds, seat damping pad
- Additional accessories on request

## 904



### Winches:

- Standard: Adler HY 20 (2 x 100 kN) double-drum winch Max. cable take-up of 14 mm, 100 m
- Optional: Adler HY 24-SG (2 x 120 kN) double-drum winch Max. cable take-up of 14 mm, 130 m Adler HY 32-SG (2 x 160 kN) double-drum winch Max. cable take-up of 16 mm, 100 m Adler HY 32-LO double-drum winch

### Weight:

- 12500 kg (standard)

### Forwarder:

- Standard: Epsilon M80 R59 (Max. range 5.9 m, 95 kNm gross lifting moment)
- Cranes up to a lifting moment of 170 kNm and range of up to 10.4 m available (see separate crane list)

### Tyres:

		Serie 23,1x26	28L-26	600/65-34	710/55-34	24,5-32	30,5-32	67x34,00-25
<b>904H</b>	D	1632	1644	1644	1634	1831	1857	1680
	B*	2360	2610	2360	2600	2430	2730	2920
	H	3301	3314	3315	3310	3400	3407	3319
	F	573	586	587	582	672	679	591

<b>904ZF</b>	H	3371	3384	3385	3380	3470	3477	3389
	F	446	459	460	455	545	552	464

\* B: minimum machine width (dimensions in mm)

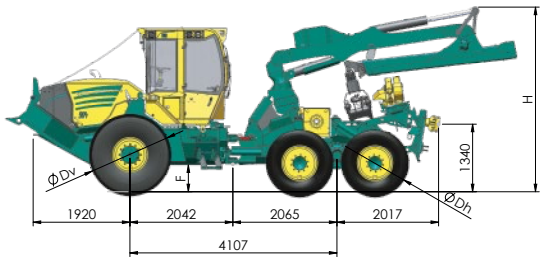
### Standard equipment:

- Fixed front polder shield, 2000 mm wide
- Straight shield as sprag brake
- Torsion lock with 2 hydraulic cylinders

### Special equipment:

- Hydraulically height-adjustable roller block
- Clamping workbench on height-adjustable roller block
- Straight shield with sprag brake
- "Skidder France" version pulley
- Engine bonnet protection and brush guard made from tubing
- Additional accessories on request

## 904 6WD



### Winches:

- Standard: Adler HY 20 (2 x 100 kN) double-drum winch Max. cable take-up of 14 mm, 100 m
- Optional: Adler HY 24-O (2 x 120 kN) double-drum winch Max. cable take-up of 14 mm, 130 m Adler HY 32-O (2 x 160 kN) double-drum winch Max. cable take-up of 16 mm, 100 m

### Weight:

- 16500 kg (standard)

### Forwarder:

- Standard: Tilttable Epsilon X150 R80 (Max. range 8 m, 170 kNm gross lifting moment)
- Optional: Tilttable Epsilon X150 R104 (Max. range 10.4 m, 170 kNm gross lifting moment)

### Tyres:

		Serie 23,1x26	28L-26	600/65-34	710/55-34	24,5-32	30,5-32	67x34,00-25
<b>904H</b>	Dv	1632	1644	1644	1634	1831	1857	1680
	Dh	1340	1340	1340	1340	1465	1485	1340
	B*	2360	2610	2360	2600	2430	2730	2920
	H	3595	3608	3609	3604	3694	3701	3613
F	573	586	587	582	672	679	591	

<b>904ZF</b>	H	3595	3608	3609	3604	3694	3701	3613
	F	446	459	460	455	545	552	464

\* B: minimum machine width (dimensions in mm)

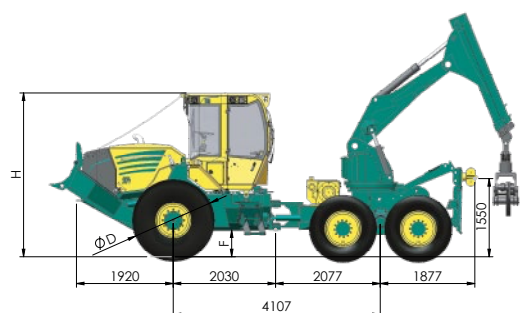
### Standard equipment:

- Fixed front polder shield, 2000 mm wide
- Straight shield as sprag brake
- Torsion lock with 2 hydraulic cylinders

### Special equipment:

- Hydraulically height-adjustable roller block
- Clamping workbench on height-adjustable roller block
- "Skidder France" version pulley
- Engine bonnet protection and brush guard made from tubing
- Additional accessories on request

## 904Z 6WD



### Winches:

- Standard: Adler HY 20 (2 x 100 kN) double-drum winch Max. cable take-up of 14 mm, 100 m
- Optional: Adler HY 24-SG (2 x 120 kN) double-drum winch Max. cable take-up of 14 mm, 130 m Adler HY 32-SG (2 x 160 kN) double-drum winch Max. cable take-up of 16 mm, 100 m

### Weight:

- 16800 kg (standard)

### Forwarder:

- Standard: Articulated arm with simple telescope: 5.6 m range Gross lifting moment: 270 kNm Swivel range: 210° Pivoting moment: 80 kNm Gripper cross-section: 1.2 m² (opt. 0.9 m²)
- Optional: Articulated arm with double telescope: 7.3 m range

### Tyres:

		Serie 23,1x26	28L-26	600/65-34	710/55-34	24,5-32	30,5-32	67x34,00-25
<b>904H</b>	D	1632	1644	1644	1634	1831	1857	1680
	B*	2360	2610	2360	2600	2430	2730	2920
	H	3301	3314	3315	3310	3400	3407	3319
	F	573	586	587	582	672	679	591

<b>904ZF</b>	H	3371	3384	3385	3380	3470	3477	3389
	F	446	459	460	455	545	552	464

\* B: minimum machine width (dimensions in mm)

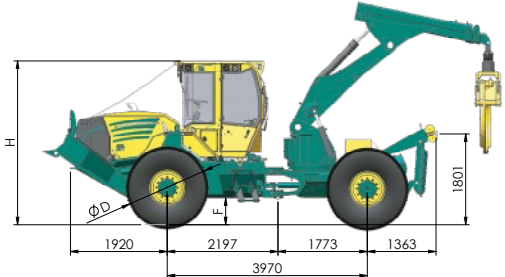
### Standard equipment:

- Fixed front polder shield, 2000 mm wide
- Straight shield as sprag brake
- Torsion lock with 2 hydraulic cylinders

### Special equipment:

- Hydraulically height-adjustable roller block
- "Skidder France" version pulley
- Engine bonnet protection and brush guard made from tubing
- Additional accessories on request

## 904ZL



### Winches:

- Standard: Adler EHY 10 (1 x 100 kN) single-drum winch Max. cable take-up of 14 mm, 80 m
- Optional: Adler HY 20 (2 x 100 kN) double-drum winch Max. cable take-up of 14 mm, 100 m Adler HY 24-O (2 x 120 kN) double-drum winch Max. cable take-up of 14 mm, 130 m Adler HY 32-O (2 x 160 kN) double-drum winch Max. cable take-up of 16 mm, 100 m Adler HY 32-LO double-drum winch

### Weight:

- 14000 kg (standard)

### Forwarder:

- Standard: Articulated arm with simple telescope: 5.6 m range Gross lifting moment: 270 kNm Swivel range: 210° Pivoting moment: 80 kNm Gripper cross-section: 1.2 m² (opt. 0.9 m²)
- Optional: Articulated arm with double telescope: 7.3 m range

### Tyres:

		Serie 23,1x26	28L-26	600/65-34	710/55-34	24,5-32	30,5-32	67x34,00-25
<b>904H</b>	D	1632	1644	1644	1634	1831	1857	1680
	B*	2360	2610	2360	2600	2430	2730	2920
	H	3301	3314	3315	3310	3400	3407	3319
	F	573	586	587	582	672	679	591

<b>904ZF</b>	H	3371	3384	3385	3380	3470	3477	3389
	F	446	459	460	455	545	552	464

\* B: minimum machine width (dimensions in mm)

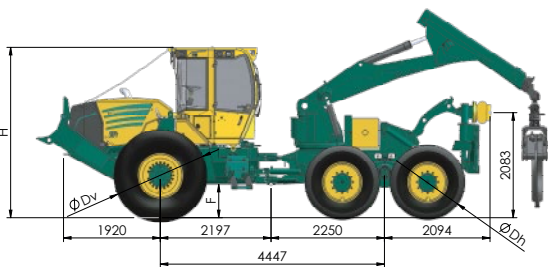
### Standard equipment:

- Fixed front polder shield, 2000 mm wide
- Straight shield as sprag brake
- Torsion lock with 2 hydraulic cylinders

### Special equipment:

- Hydraulically height-adjustable roller block
- "Skidder France" version pulley
- Straight shield „France"
- Engine bonnet protection and brush guard made from tubing
- Additional accessories on request

## 904ZL 6WD



### Winches:

- Standard: Adler EHY 10 (1 x 100 kN) single-drum winch Max. cable take-up of 14 mm, 80 m
- Optional: Adler HY 20 (2 x 100 kN) double-drum winch Max. cable take-up of 14 mm, 100 m Adler HY 24-O (2 x 120 kN) double-drum winch Max. cable take-up of 14 mm, 130 m Adler HY 32-O (2 x 160 kN) double-drum winch Max. cable take-up of 16 mm, 100 m Adler HY 32-LO double-drum winch

### Weight:

- 198000 kg (standard)

### Forwarder:

- Standard: Articulated arm with simple telescope: 5.9 m range Gross lifting moment: 270 kNm Swivel range: 210° Pivoting moment: 80 kNm Gripper cross-section: 1.2 m² (opt. 0.9 m²)
- Optional: Articulated arm with double telescope: 7.6 m range

### Tyres:

		Serie 24,5-32	30,5-32
<b>904H</b>	Dv	1831	1857
	Dh	1465	1485
	B*	2920	2920
	H	3400	3407
F	672	679	

<b>904ZF</b>	H	3400	3407
	F	545	552

\* B: minimum machine width (dimensions in mm)

### Standard equipment:

- Fixed front polder shield, 2000 mm wide
- Straight shield as sprag brake
- Torsion lock with 2 hydraulic cylinders

### Special equipment:

- Hydraulically height-adjustable roller block
- "Skidder France" version pulley
- Straight shield „France"
- Engine bonnet protection and brush guard made from tubing
- Additional accessories on request